

Add: Chongzhou Industrial Development Zone, Chengdu, Sichuan, China
Tel: +86 28 6218 0522 **Fax:** +86 28 6218 0522 **Mob.:** +86 1588 231 9942
E-mail: salesatbec@gmail.com <http://www.bones-electronics.com/>

Toroidal Transformers List

(More Sizes and VA Available)

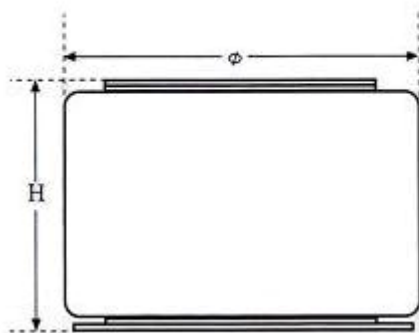
Volume (VA)	Type I		Type II		Type III	
	Overall H×Φ(mm)	Installation a×b(mm)	Overall H×Φ(mm)	Installation a×b(mm)	Overall H×Φ(mm)	Installation a×b(mm)
6	28×65	55×55	33×58	45×45	40×51	45×45
8	33×65	55×55	38×61	45×45		
10	30×78	70×70	33×70	55×55	38×62	55×55
12	32×81	70×70	34×70	55×55	39×65	55×55
15	33×82	70×70	35×72	60×60	40×66	55×55
18	34×83	70×70	40×71	60×60	50×68	55×55
25	35×88	70×70	40×78	60×60	50×72	60×60
40	33×105	85×85	36×92	78×78	41×90	70×70
50	34×107	85×85	45×95	78×78	50×90	70×70
60	50×95	78×78	55×85	70×70		
80	52×100	78×78	55×93	70×70	70×78	60×60
100	52×105	85×85	55×98	78×78	65×85	70×70
120	52×110	85×85	68×102	78×78	75×85	70×70
160	57×115	95×95	65×110	85×85	70×112	85×85
200	60×128	105×105	72×115	85×85	82×108	85×85
250	63×132	105×105	75×118	95×95	83×112	85×85
320	65×135	105×105	75×130	105×105	80×118	95×95
360	78×130	105×105	83×125	95×95		
400	65×138	105×105	80×135	105×105	93×120	95×95
500	78×137	115×115	80×140	115×115	88×135	105×105
600	78×155	135×135	85×145	115×115	93×145	105×105
800	80×170	140×140	98×150	120×120	108×140	115×115
1K	90×175	140×140	102×155	130×130	115×142	115×115
1.2K	10×165	130×130				
1.3K	11×170	130×130				
1.5K	11×180	140×140				

2..0K	12×195	160×160				
2.5K	11×225	185×185	135×210	160×160		
3K	138×235	185×185				
3.5K	14×235	185×185				
4K	15×240	185×185				
5K	15×270	220×220				
6K	16×275	220×220				
7K	17×285	250×250				
8K	18×290	250×250				
9K	19×285	250×250				
10 K	19×290	270×270				
12 K	20×295	270×270				
14 K	20×310	270×270				
15 K	20×320	290×290				
17 K	21×345	290×290				
20 K	21×360	290×290				

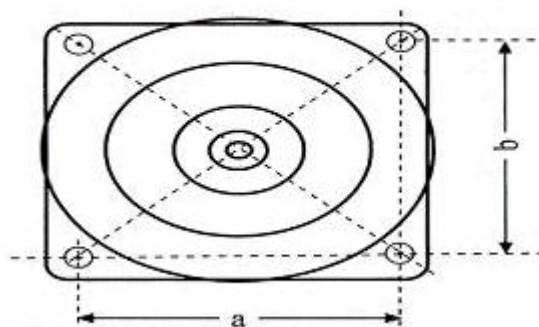
Remark:

1. The above H×Φ is the Max. overall dimension of our normal transformer with Copper wire Primary & Secondary, the corresponding data of the transformer with Aluminum wire Primary & Secondary as well as the transformer with Copper Primary & Aluminum Secondary will only be informed based on your detailed enquiry.
2. All above data are subject to modification without notice in advance.
3. The above data is only part of the normal overall dimensions, the data of 1KVA above will be offered together with our quotation, based on your detailed enquiry.
- 4.OEM, ODM, Custom designed drawings and samples acceptable, more dimensions of overall and installation available according to customer’s special requirement.
5. Installation Styles available: Horizontal (Non-conventional-type base plate), Sunk, Side and Bridge.

Overall Dimension Diagram (mm)



Installation Dimension Diagram(mm)



Add: Chongzhou Industrial Development Zone, Chengdu, Sichuan, China
 Tel: +86 28 6218 0522 Fax: +86 28 6218 0522 Mob.:+86 1588 231 9942
 E-mail: salesatbec@gmail.com <http://www.bones-electronics.com/>

Varnished Toroidal Cores in Different Series

Made of Cold Rolled Grain Oriented Silicon Sheet

Material	BG	CG	DG	EG
Thickness	0.35mm	0.30mm	0.27mm	0.23mm
Iron Loss (P1.5/50)	2.0W/Kg	1.5W/Kg	1.0W/Kg	0.85W/Kg
Special Treatment	Annealed with Nitrogen and Hydrogen to bring a notable result in electronic data.			

Remark:

1. The above all are only fit for our normal toroidal core data in different series, the detailed information subject to our Technical Parameter Confirmation on a given Model No.
2. Annealed by advanced vacuum annealing furnaces to improve electronic data.
3. Any Dimensions available.

The List of Liner EI Transformers

(More Specifications Available)

Core & Bobbin (mm)	Overall (mm)	a×b×c	Installation (mm)	Volume (VA)	
				Copper Wire	Aluminum Wire
28×18	30×32×37		42	2	1.5
35×15	37×31×32		45	2.5	2
41×14	43×32×36		55	4	3
41×16.5	43×37×36		55	5	4
41×20	43×41×36		55	5	4
41×25	43×44×36		55	6	5
48×21	51×39×43		65	8	7
48×25	51×45×43		65	10	8
48×30	51×52×43		60	13	12
54×21.5	57×44×48		70	10	8
54×25	57×49×48		70	13	12
57×22.5	60×44×51		72	12	11
57×25	60×45×51		72	17	15
57×30	60×51×51		72	25	20
57×38	60×61×51		72	32	25
60×30	63×57×54		75	25	20
66×28	69×55×58		82	35	30
66×35	69×62×58		82	40	35
66×44	69×70×58		82	60	50
76.2×25.5	78×55×65		65×54	55	40
76.2×35	78×65×65		65×65	70	55
85.8×45	87×77×73		72×80	120	100

Features

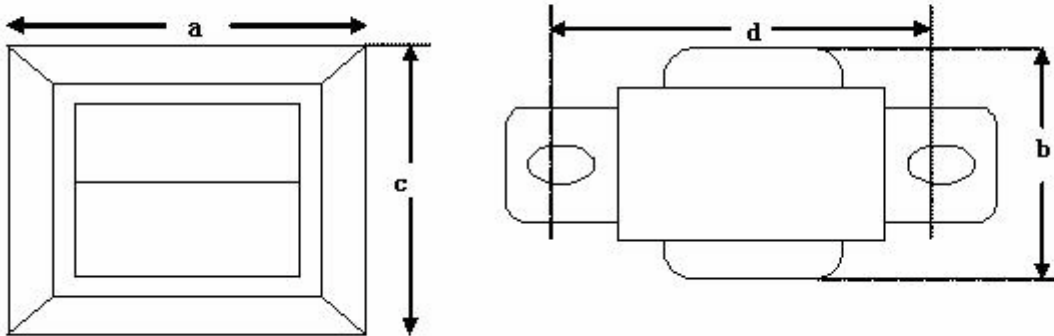
1. EI Core: High Quality Cold Grain Silicon Sheet Inserted by Machine.
2. Bobbin: Excellent Anti-combustion.
3. Thermal Cutoff and Thermal Switch: Available.

Remark:

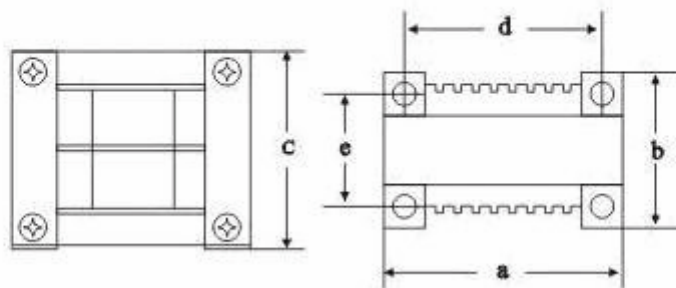
1. Custom designed drawings and samples acceptable.
2. All data are subject to modification without notice in advance.

Add: Chongzhou Industrial Development Zone, Chengdu, Sichuan, China
Tel: +86 28 6218 0522 Fax: +86 28 6218 0522 Mob.:+86 1588 231 9942
E-mail: salesatbec@gmail.com <http://www.bones-electronics.com/>

Overall Dimension (mm) of EI below 40VA



Overall Dimension (mm) of EI above 40VA



If you want best, we are your trust.

Add: Chongzhou Industrial Development Zone, Chengdu, Sichuan, China
Tel: +86 28 6218 0522 Fax: +86 28 6218 0522 Mob.:+86 1588 231 9942
E-mail: salesatbec@gmail.com <http://www.bones-electronics.com/>

The List of Needle Pins EI Transformers

(More Specifications Available)

Modle No.	Core & Bobbin	Overall a×b×c (mm)	Needle (PCS)	Needle Distance (mm) (E)	Row Distance (mm) (F)	Volume (VA)
BEE-13ZE-X	28X10.5	29X26X26	4 4	3X5.0 3X5.0	20	0.6
BEE-17ZE-X	28X11	29X26X26	3 4	2×7.0 3×5.0	20	0.6
BEE-27ZE-X	28×11.5	29×26×24.5	3 3	2×5.9 2×5.9	21.9	0.6
BEE-18ZE-X	28×12	29×26×23.5	5 5	4×4.9 4×4.9	20	1.0
BEE-19ZE-X	28×15	29X26X26.5	5 5	4×4.9 4×4.9	20	1.5
BEE-20ZE-X	28×18	29×26×32.5	5 5	4×4.9 4×4.9	20	2.5
BEE-28ZE-X	35×9	36×31×24.5	3 4	2×7.5 3×5.0	22.1	1.0
BEE-1ZE-X	35×12	36X31X31	3 4	2×7.5 3×5.0	22.1	1.5
BEE-2ZE-X	35×13.5	36×31×32	4 4	3×6.3 3×6.3	29.9	1.5
BEE-3ZE-X	35×14.5	36×31×35	4 5	3×6.0 4×4.5	21.1	2.0
BEE-21ZE-X	35×15	36X31X31	5 5	4×5.6 4×5.6	21.7	3.0
BEE-4ZE-X	35×18	36×31×35	5 5	4×4.7 4×4.7	22.5	4.0
BEE-22ZE-X	35×20	36×31×37	5 5	4×5.6 4×5.6	21.7	4.0
BEE-5ZE-X	41×10	42×34×25	3	2×9.1	23.7	1.0
			3	2×9.1		
BEE-6ZE-X	41×13	42×34×30	6 6	5×6.35 5.08+4×6.35	25	4.0
BEE-7ZE-X	41×17	42×34×41	5 5	4×5.0 4×5.0	22.4	4.5

If you want best, we are your trust.

Add: Chongzhou Industrial Development Zone, Chengdu, Sichuan, China

Tel: +86 28 6218 0522 Fax: +86 28 6218 0522 Mob.:+86 1588 231 9942

E-mail: salesatbec@gmail.com <http://www.bones-electronics.com/>

BEE-23ZE-X	41×18	42X34X34	7 7	6×5.0 6×5.0	22.5	6.0
BEE-29ZE-X	41×22	42×34×40	4 5	3×7.5 4×5.6	22.5	6.5
BEE-8ZE-X	41×23	42×34×45	3 5	2×7.7 4×7.7	23	6.0
BEE-9ZE-X	48×8	49×41×24.5	5 5	4×7.4 4×7.4	32.3	3.0
BEE-10ZE-X	48×13.5	49×41×29	5 4	4×5.2 3×6.8	28.1	6.0
BEE-24ZE-X	48×16	49×41×35	5 5	4×7.4 4×7.4	29.7	6.0
BEE-11ZE-X	48×18.5	49×41×39	5 7	4×7.55 6×5.0	28.3	8.0
BEE-25ZE-X	48×20	49×41×39	5 5	4×7.5 4×7.5	29.4	6.0
BEE-16ZE-X	48×22	49×41×40	5 5	4×7.5 4×7.5	29.7	8.0
BEE-26ZE-X	48×24	49×41×42	5 5	4×7.5 4×7.5	29.5	8.5
BEE-12ZE-X	54×18.5	55×46×42	7 7	6×4.9 6×4.9	30.7	10.0
BEE-14ZE-X	54×20	55×46×37	7 7	6×5.0 6×5.0	30.5	12.0
BEE-15ZE-X	57×30	58×49×51	7 7	6×5.0 6×5.0	32.0	25.0

Features:

Widely used in PCB circuit.

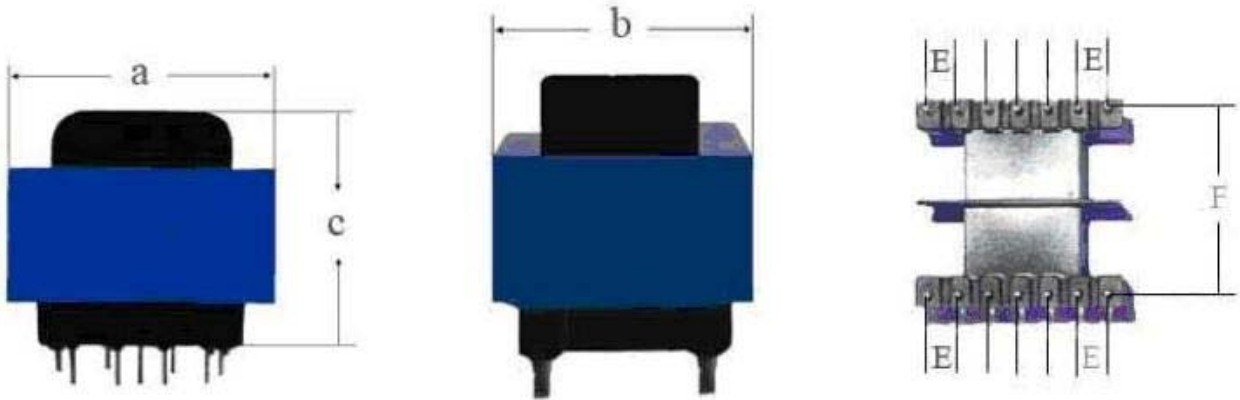
Remarks:

1. "X" refers to volume, which will be replaced by a corresponding digit on the transformer product.
2. The above volume is the max. output power of single winding only, two or more windings will share the whole output power.
3. Custom designed drawing and samples acceptable.
4. All data are subject to modification without notice in advance.

If you want best, we are your trust.

Add: Chongzhou Industrial Development Zone, Chengdu, Sichuan, China
Tel: +86 28 6218 0522 Fax: +86 28 6218 0522 Mob.:+86 1588 231 9942
E-mail: salesatbec@gmail.com <http://www.bones-electronics.com/>

Overall Dimension (mm)



If you want best, we are your trust.

The List of Encapsulated Needle Pins EI Transformers

(More Specifications Available)

Modle No.	Core & Bobbin	Needle Distance (mm) (E)	Row Distance (mm) (F)	Volume (VA)	Shell Size (mm)
BEE-1GZE-X	28X102	4×4.9 4×4.9	20	1~1.3	M28×25
BEE-2GZE-X	28X15	4×4.9 4×4.9	20	1.5~2	M28×30
BEE-3GZE-X	28×18	4×4.9 4×4.9	20	2~2.5	M28×32
BEE-4GZE-X	35×15	4×5.6 4×5.6	21.7	2.5~3	M35×33
BEE-5GZE-X	41×18	6×5.0 6×5.0	22.5	5~6	M41×35
BEE-6GZE-X	48×16	4×7.4 4×7.4	29.7	4.5~5.5	M48×35
BEE-7GZE-X	48×20	4×7.5 4×7.5	29.4	6~7	M48×40
BEE-8GZE-X	54×20	6×5.0 6×5.0	30.5	12	M57×40

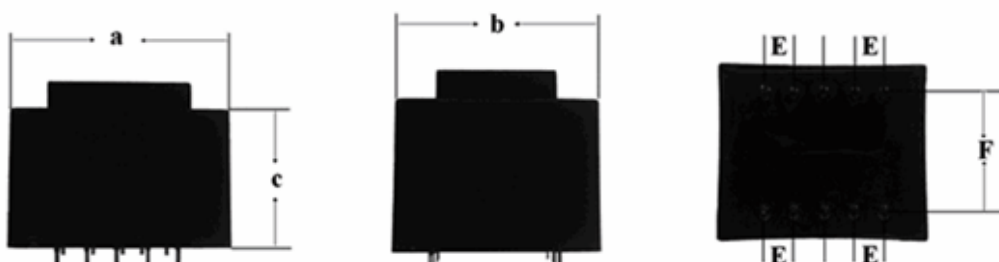
Features:

1. Widely used in PCB circuit.
2. Compact, Anti-shock, Anti-moisture, Anti-dust, High anti-strength, Water-proof to adapts hard working environment.

Remarks:

1. "X" refers to volume, which will be replaced by a corresponding digit on the transformer product.
2. The above volume is the max. output power of single winding only, two or more windings will share the whole output power.
3. Custom designed drawing and samples acceptable.
4. All data are subject to modification without notice in advance

Overall Dimension (mm)



Add: Chongzhou Industrial Development Zone, Chengdu, Sichuan, China
 Tel: +86 28 6218 0522 Fax: +86 28 6218 0522 Mob.:+86 1588 231 9942
 E-mail: salesatbec@gmail.com <http://www.bones-electronics.com/>

Comparison on Transformers in Different Wires

	BEE Series Copper Transformer	Series of BEELL、 BEEL Aluminum Transformer
Dimension	Smaller	Bigger
Weld	Good	Well welded based on our Know-how Technology
Performance	Good	Equivalent to Copper
Reliability	Good	Equivalent to Copper
Price	Expensive	Cost Saving 15%-35%

Remarks:

In China mainland, as a pioneer to apply Aluminum Enamel Wire into practice in manufacturing electronic transformer, we found a good solution to weld Aluminum Enamel Wire well, based on our Know-how Technology.



Add: Chongzhou Industrial Development Zone, Chengdu, Sichuan, China
Tel: +86 28 6218 0522 Fax: +86 28 6218 0522 Mob.:+86 1588 231 9942
E-mail: salesatbec@gmail.com <http://www.bones-electronics.com/>

Comparison on Transformers in Different Shapes of Cores

Shape of Core	EI, R & CD	Toroidal
Dimension	Not Adjustable	Adjustable
Performance	Average	Better
Reliability	Average	Better
Price	Expensive	10%-30% Cost Saved

Remarks:

Since 2000, we have been playing a leading role to replace the types of R, CD, EI transformers with toroidal transformers for our customers from all over the world.